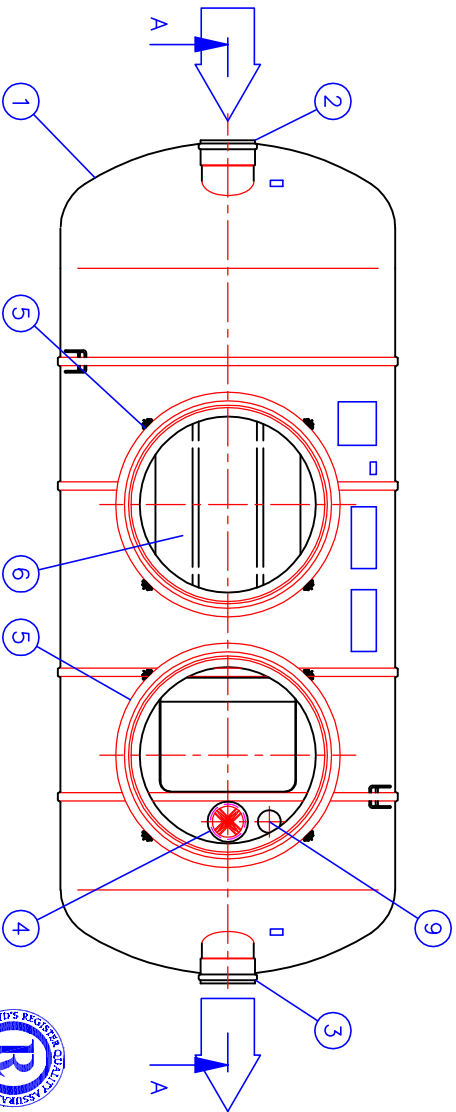
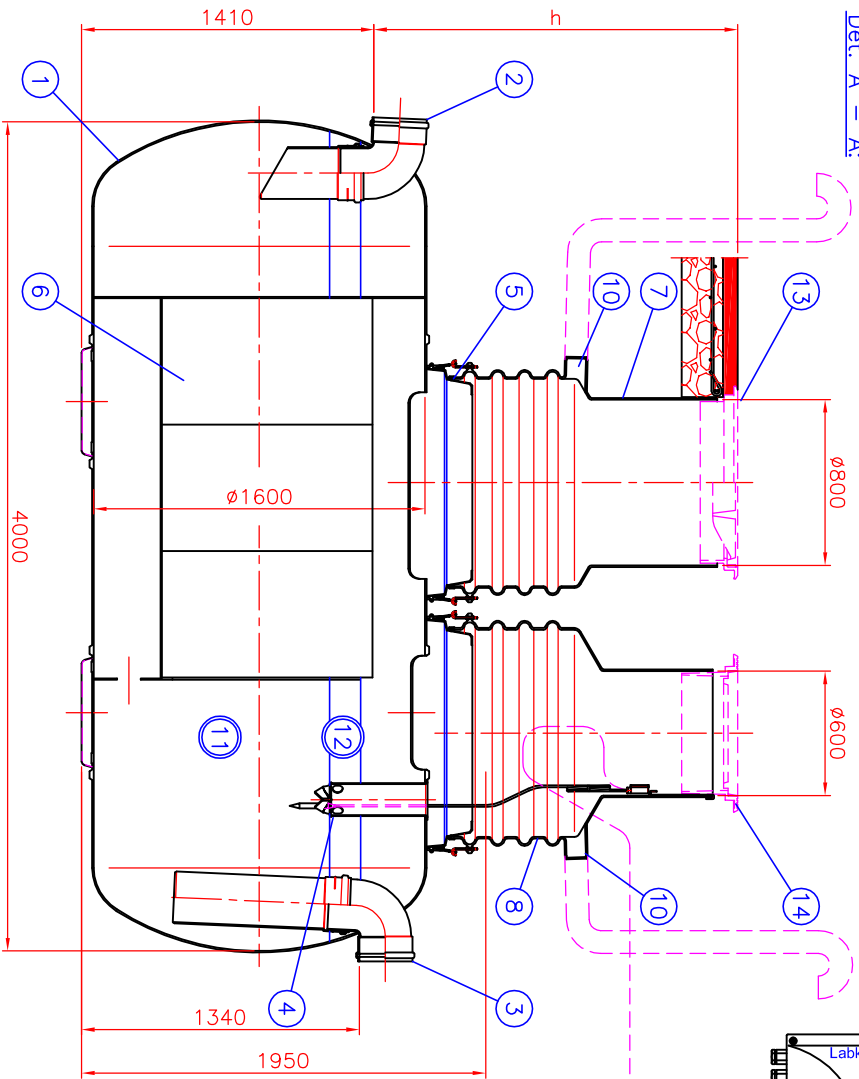


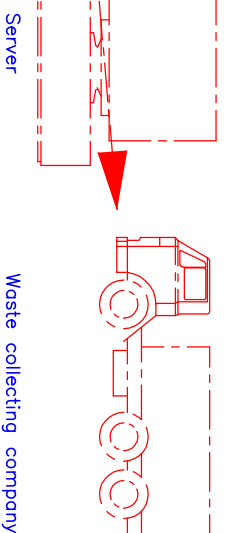
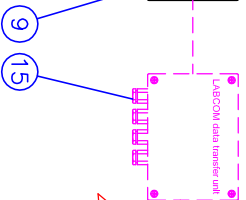
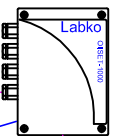
Det. A - A:



This drawing and the technical information included in the drawing are property of Wavin-Labko. All the national regulations concerning this product have to be checked before purchase of the product. Installation have to be done according to installation manual.

Approved by customer:

200



h = Separator connection height from ground (mm)

h = \_\_\_\_\_ mm (Max. 2500 mm)

Max. Flow: 30 l/s

Weight: 810 kg (without maintenance shaft)

15	ACCESSORY: Labcom Data Transfer Unit. (x) <input type="checkbox"/>				
14	ACCESSORY: Floating adjustable cover Ø600, Standard EN124				
	Cover class A15 (1.5 tn) (x) <input type="checkbox"/>				
	Cover class G250 (25 tn) <input type="checkbox"/>				
	Cover class D400 (40 tn) <input type="checkbox"/>				
	Frame <input type="checkbox"/>				
13	ACCESSORY: Floating adjustable cover Ø800, Standard EN124				
	Cover class D400 (40 tn) (x) <input type="checkbox"/>				
12	Oil storage volume		900 l		
11	Effective volume		5500 l		
10	Ventilation outlet		PE-MD D110		2
9	OilSET-1000 oil alarm unit with SET DM/3 probe				1
8	EuroHUK 600 maintenance shaft (as needed), PE-MD plastic (Ø1000/600)				
	h = Separator connection height from ground (Max. 2500 mm)				
	EuroHUK 600 h 9-13 (x) <input type="checkbox"/>	PE-MD	h = 900...1300 mm	(22 kg)	
	EuroHUK 600 h13-17 <input type="checkbox"/>	PE-MD	h = 1300...1700 mm	(38 kg)	
	EuroHUK 600 h17-21 <input type="checkbox"/>	PE-MD	h = 1700...2100 mm	(56 kg)	
	EuroHUK 600 h21-25 <input type="checkbox"/>	PE-MD	h = 2100...2500 mm	(80 kg)	
7	EuroHUK 800 maintenance shaft (as needed), PE-MD plastic (Ø1000/800)				
	h = Separator connection height from ground (Max. 2500 mm)				
	EuroHUK 800 h 9-13 (x) <input type="checkbox"/>	PE-MD	h = 900...1300 mm	(25 kg)	
	EuroHUK 800 h13-17 <input type="checkbox"/>	PE-MD	h = 1300...1700 mm	(42 kg)	
	EuroHUK 800 h17-21 <input type="checkbox"/>	PE-MD	h = 1700...2100 mm	(60 kg)	
	EuroHUK 800 h21-25 <input type="checkbox"/>	PE-MD	h = 2100...2500 mm	(84 kg)	
6	Cooleracer	pp			12
5	Maintenance shaft installation sleeve	GRP	D1000/1100 mm		2
4	Oil suction pipe	PVC	D160		1
3	Outlet sewer	PVC	D250		1
2	Inlet sewer	PVC	D250		1
1	Material: Glass Reinforced Plastic "Lasa Composit", Ø1600, L=4000 mm pH 3-10/Heat resistance 50°C				1

Product: Title: EuroPEK NS30 Oil separator, Class I (EN858)

Design by: Checked by: Approved by: Drawing no. Date: Scale: AL/JS TdP 28.01.09 24KB01fe 28.01.09 CUSTOMER DRAWING

Product: Title: EuroPEK NS30 Oil separator, Class I (EN858)

Design by: Checked by: Approved by: Drawing no. Date: Scale: AL/JS TdP 28.01.09 24KB01fe 28.01.09 CUSTOMER DRAWING

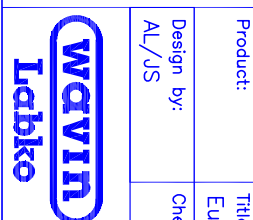
Product: Title: EuroPEK NS30 Oil separator, Class I (EN858)

Design by: Checked by: Approved by: Drawing no. Date: Scale: AL/JS TdP 28.01.09 24KB01fe 28.01.09 CUSTOMER DRAWING

Product: Title: EuroPEK NS30 Oil separator, Class I (EN858)

Design by: Checked by: Approved by: Drawing no. Date: Scale: AL/JS TdP 28.01.09 24KB01fe 28.01.09 CUSTOMER DRAWING

Product: Title: EuroPEK NS30 Oil separator, Class I (EN858)



WAVIN-LABKO  
Labkote 1  
FIN-35240 KANGASALA  
FINLAND  
Tel. +358-(0)20-1285 200  
Fax +358-(0)20-1285 280  
www.wavin-labko.fi

Construction site: