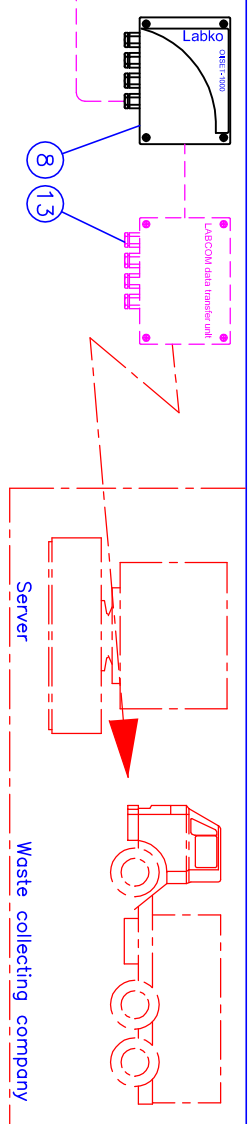
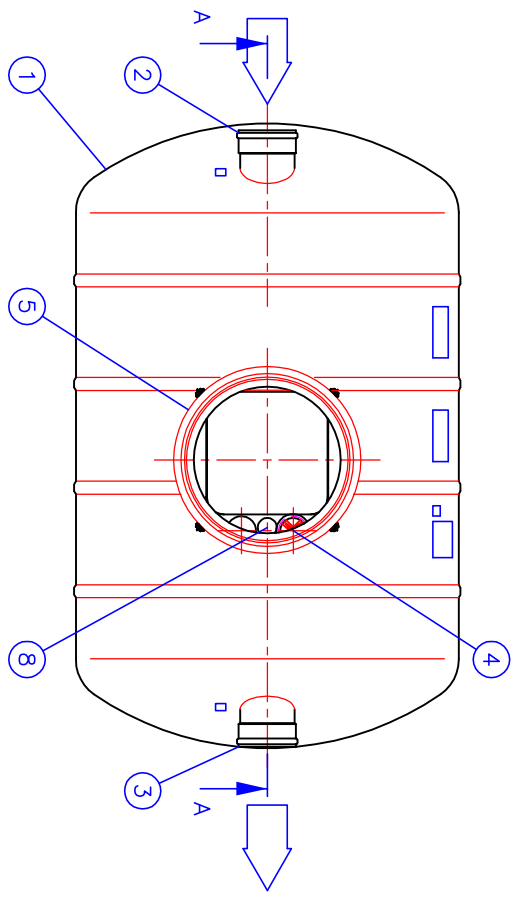
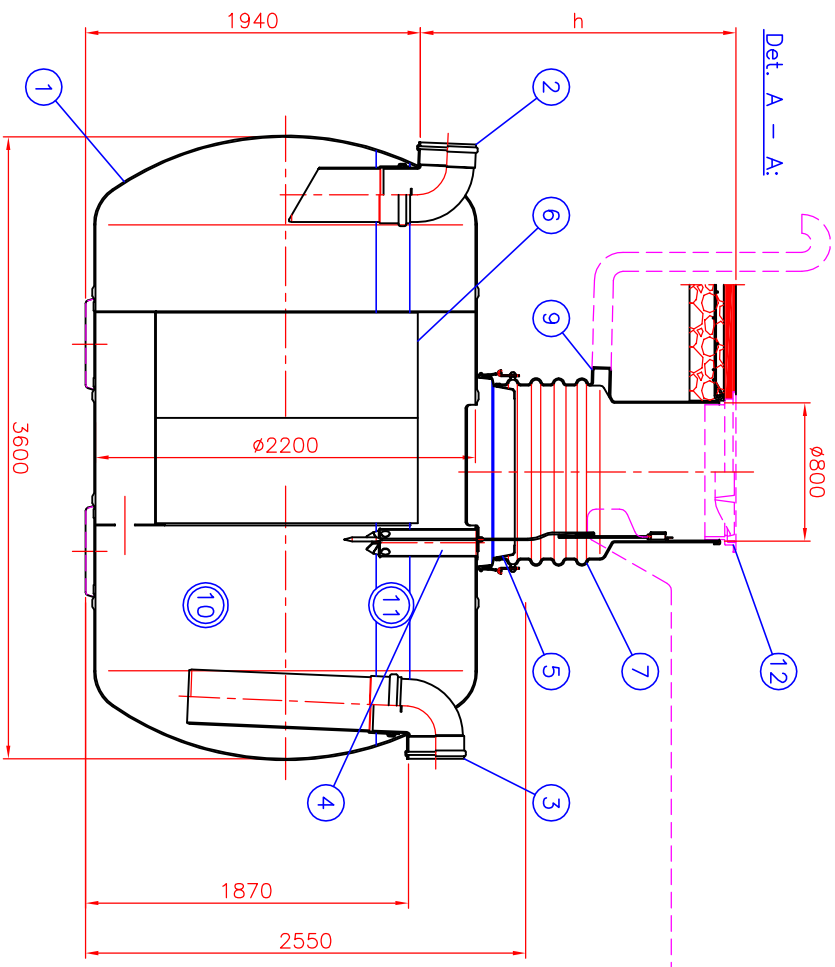


Det. A - A:



h = Separator connection height from ground (mm)  
 h = \_\_\_\_\_ mm (Max. 2500 mm)

Max. Flow: 40 l/s  
 Weight: 1100 kg (without maintenance shaft)

13	ACCESSORY: Labcom Data Transfer Unit. (x) <input type="checkbox"/>			
12	ACCESSORY: Floating adjustable cover Ø800, Standard EN124			
11	Oil storage volume	1 000 l		
10	Effective volume	10 000 l		
9	Ventilation outlet	PE-MD D110		1
8	OilSET-1000 oil alarm unit with SET DM/3 probe			1
7	EuroHUK 800 maintenance shaft (as needed), PE-MD plastic (Ø1000/800) h = Separator connection height from ground (Max. 2500 mm)			
	EuroHUK 800 h 9-13 (x) <input type="checkbox"/>	PE-MD h = 900...1300 mm	(25 kg)	
	EuroHUK 800 h13-17 <input type="checkbox"/>	PE-MD h = 1300...1700 mm	(42 kg)	
	EuroHUK 800 h17-21 <input type="checkbox"/>	PE-MD h = 1700...2100 mm	(60 kg)	
	EuroHUK 800 h21-25 <input type="checkbox"/>	PE-MD h = 2100...2500 mm	(84 kg)	
6	Cooleracer	PP		10
5	Maintenance shaft installation sleeve	GRP D1000/1100 mm		1
4	Oil suction pipe	PVC D160		1
3	Outlet sewer	PVC D315		1
2	Inlet sewer	PVC D315		1
1	Material: Glass Reinforced Plastic "Lasa Composit", Ø2200, L=3600 mm pH 3-10/Heat resistance 50°C			1

This drawing and the technical information included in the drawing are property of Wavin-Labko. All the national regulations concerning this product have to be checked before purchase of the product. Installation have to be done according to installation manual.

Approved by customer: \_\_\_\_\_ / \_\_\_\_\_ 200. \_\_\_\_\_



<b>WAVIN</b> <b>Labko</b>		Wavin-Labko Labkote 1 FIN-35240 KANGASALA FINLAND Tel. +358-(0)20-1285 200 Fax +358-(0)20-1285 280 www.wavin-labko.fi	
Design by: TP/JS Checked by: Top 28.01.09 Approved by:	Title: EuroPEK NS40 Oil separator, Class I (EN858) Drawing no. 24MB01ee Construction site:	Drawing type: CUSTOMER DRAWING Date: 28.01.09 Scale:	