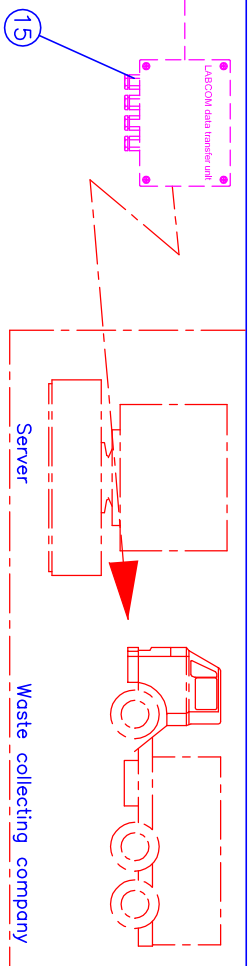
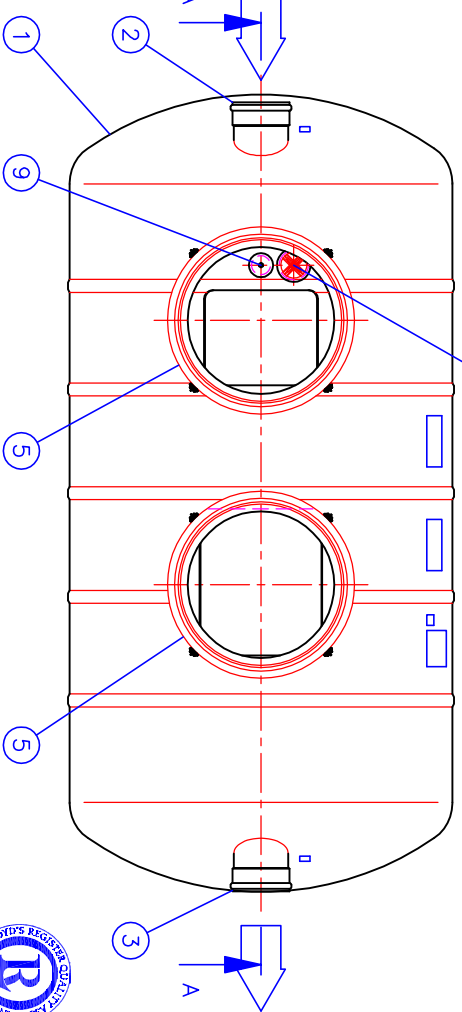
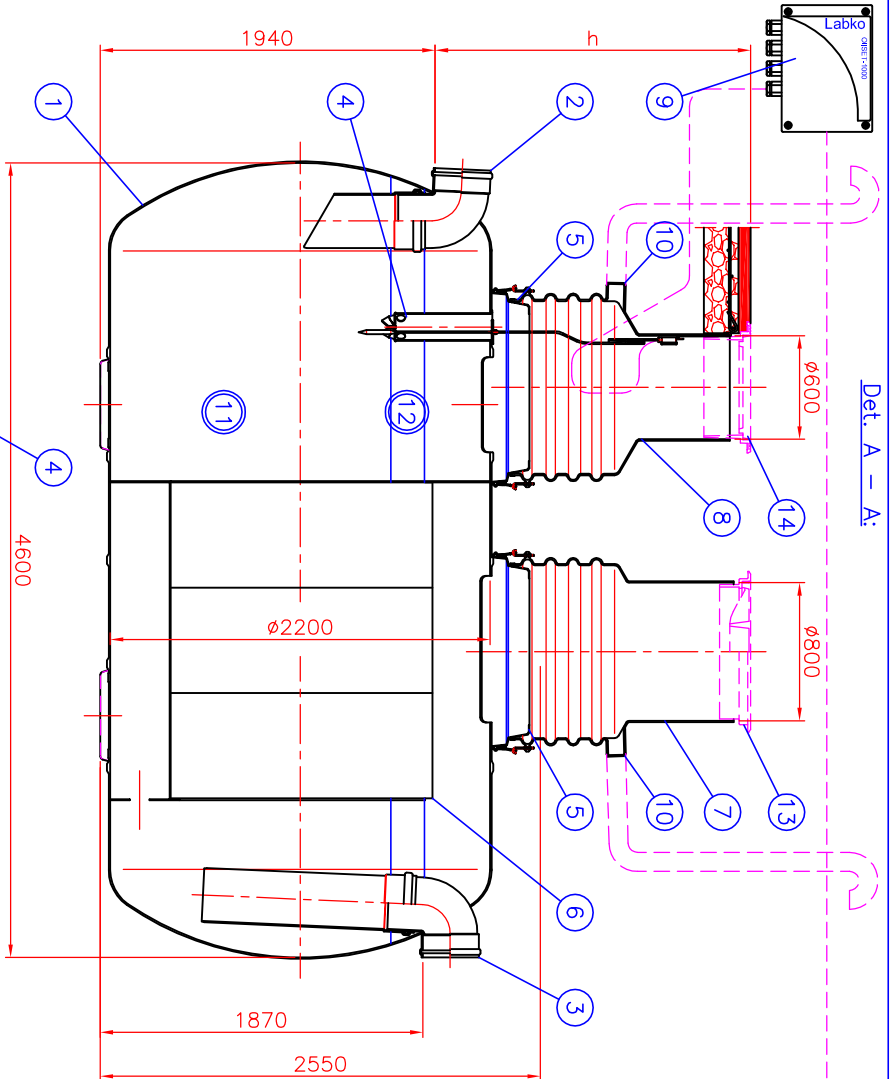


Det. A - A:



h = Separator connection height from ground (mm)
 h = _____ mm (Max. 2500 mm)
 Max. Flow: 50 l/s
 Weight: 1700 kg (without maintenance shaft)

15	ACCESSORY: Labcom Data Transfer Unit. (x) <input type="checkbox"/>				
14	ACCESSORY: Floating adjustable cover ϕ 600, Standard EN124				
	Cover class A15 (1.5 tn) (x) <input type="checkbox"/>				
	Cover class G250 (25 tn) <input type="checkbox"/>				
	Cover class D400 (40 tn) <input type="checkbox"/>				
	Frame <input type="checkbox"/>				
13	ACCESSORY: Floating adjustable cover ϕ 800, Standard EN124				
	Cover class D400 (40 tn) (x) <input type="checkbox"/>				
12	Oil storage volume		1 500 l		
11	Effective volume		13 500 l		
10	Ventilation outlet		PE-MD D110		2
9	OilSET-1000 oil alarm unit with SET DM/3 probe				1
8	EuroHUK 600 maintenance shaft (as needed), PE-MD plastic (ϕ 1000/600)				
	h = Separator connection height from ground (Max. 2500 mm)				
	EuroHUK 600 h 9-13 (x) <input type="checkbox"/>	PE-MD	h = 900...1300 mm	(22 kg)	
	EuroHUK 600 h13-17 <input type="checkbox"/>	PE-MD	h = 1300...1700 mm	(38 kg)	
	EuroHUK 600 h17-21 <input type="checkbox"/>	PE-MD	h = 1700...2100 mm	(56 kg)	
	EuroHUK 600 h21-25 <input type="checkbox"/>	PE-MD	h = 2100...2500 mm	(80 kg)	
7	EuroHUK 800 maintenance shaft (as needed), PE-MD plastic (ϕ 1000/800)				
	h = Separator connection height from ground (Max. 2500 mm)				
	EuroHUK 800 h 9-13 (x) <input type="checkbox"/>	PE-MD	h = 900...1300 mm	(25 kg)	
	EuroHUK 800 h13-17 <input type="checkbox"/>	PE-MD	h = 1300...1700 mm	(42 kg)	
	EuroHUK 800 h17-21 <input type="checkbox"/>	PE-MD	h = 1700...2100 mm	(60 kg)	
	EuroHUK 800 h21-25 <input type="checkbox"/>	PE-MD	h = 2100...2500 mm	(84 kg)	
6	Cooleracer	pp			15
5	Maintenance shaft installation sleeve	GRP	D1000/1100 mm		2
4	Oil suction pipe	PVC	D160		1
3	Outlet sewer	PVC	D315		1
2	Inlet sewer	PVC	D315		1
1	Material: Glass Reinforced Plastic "Lasa Composit", ϕ 2200, L=4600 mm pH 3-10/Heat resistance 50°C				1

This drawing and the technical information included in the drawing are property of Wavin-Labko. All the national regulations concerning this product have to be checked before purchase of the product. Installation have to be done according to installation manual.

Approved by customer: _____ / _____ 200. _____

WAVIN
Labko

WAVIN-LABKO
 Labkote 1
 FIN-35240 KANGASALA
 FINLAND
 Tel. +358-(0)20-1285 200
 Fax +358-(0)20-1285 280
 www.wavin-labko.fi

Design by:	Checked by:	Approved by:	Drawing no.	Date:	Drawing type
TP/JS	TP	TP	240B01ee	28.01.09	CUSTOMER DRAWING
Title: EuroPEK NSSO Oil separator, Class I (EN858)			Scale:		
Product: EuroPEK NSSO Oil separator, Class I (EN858)			Construction site:		

28.1.2009 13:55:31