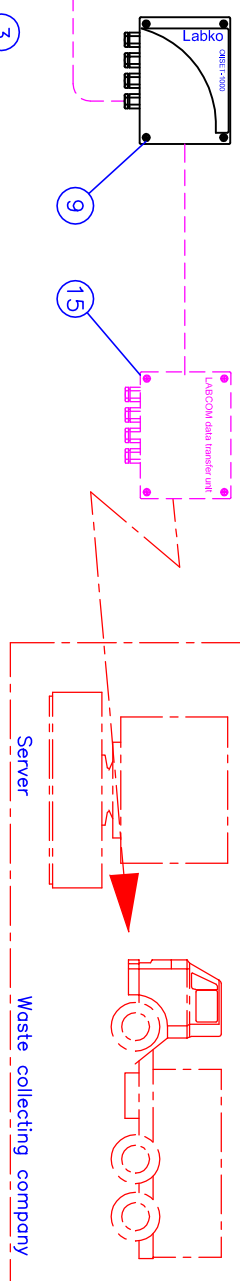
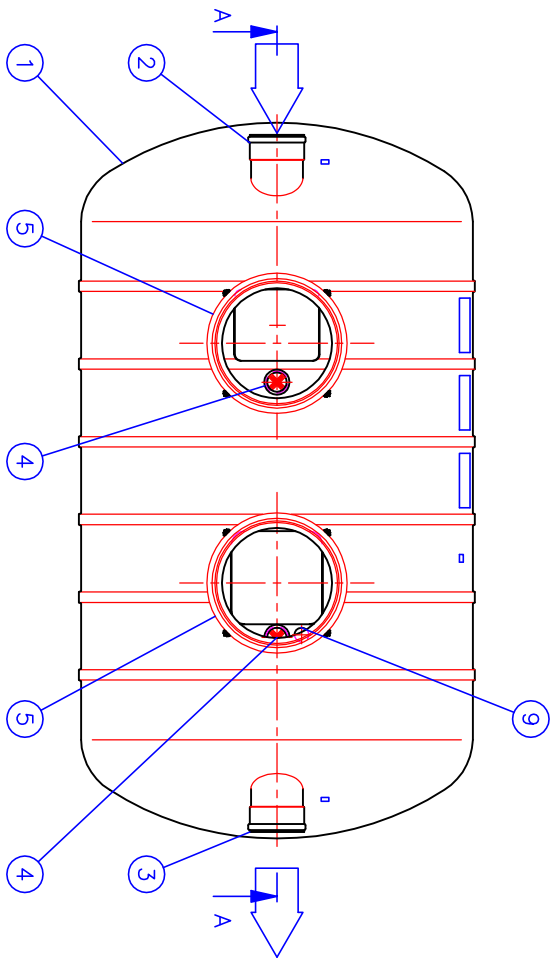
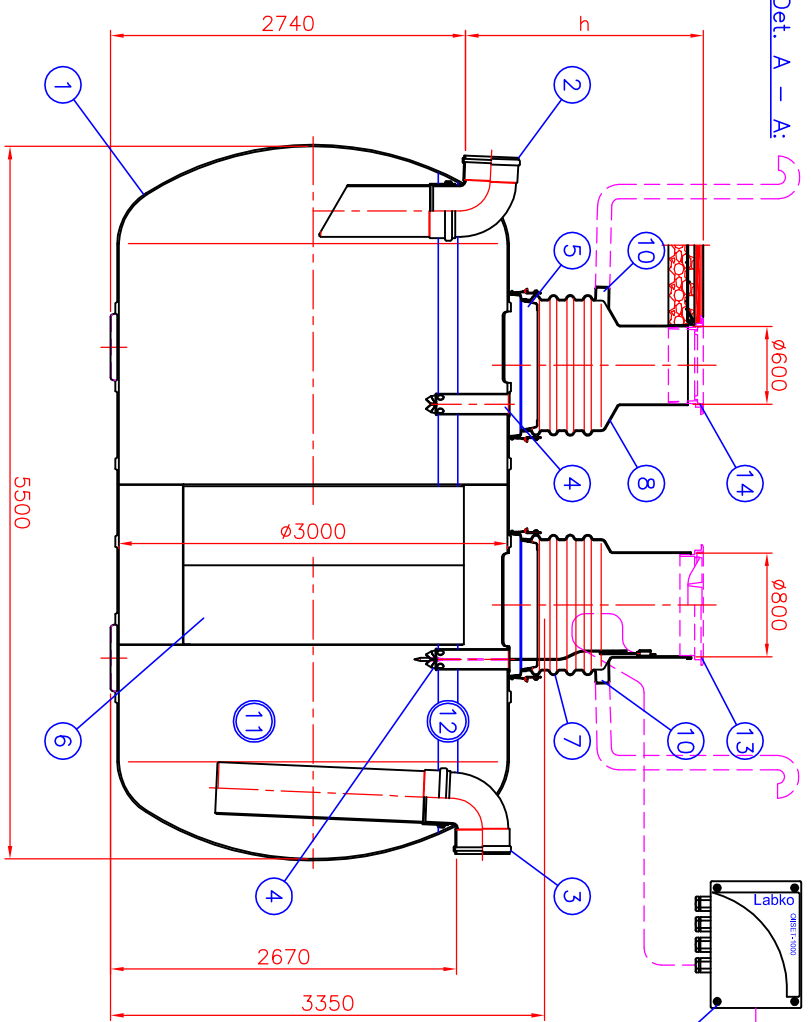


Det. A – A:



h = Separator connection height from ground (mm)  
 h = \_\_\_\_\_ mm (Max. 2500 mm)  
 Max. Flow: 65 l/s  
 Weight: 2500 kg (without maintenance shaft)

15	ACCESSORY: Labcom Data Transfer Unit. (x) <input type="checkbox"/>				
14	ACCESSORY: Floating adjustable cover $\phi$ 600, Standard EN124				
	Cover class A15 (1.5 tn) (x) <input type="checkbox"/>				
	Cover class G250 (25 tn) <input type="checkbox"/>				
	Cover class D400 (40 tn) <input type="checkbox"/>				
	Frame <input type="checkbox"/>				
13	ACCESSORY: Floating adjustable cover $\phi$ 800, Standard EN124				
	Cover class D400 (40 tn) (x) <input type="checkbox"/>				
12	Oil storage volume		1 500 l		
11	Effective volume		32 200 l		
10	Ventilation outlet		PE-MD D110		2
9	OilSET-1000 oil alarm unit with SET DM/3 probe				1
8	EuroHUK 600 maintenance shaft (as needed), PE-MD plastic ( $\phi$ 1000/600)				
	h = Separator connection height from ground (Max. 2500 mm)				
	EuroHUK 600 h 9-13 (x) <input type="checkbox"/>	PE-MD	h = 900...1300 mm	(22 kg)	
	EuroHUK 800 h13-17 <input type="checkbox"/>	PE-MD	h = 1300...1700 mm	(38 kg)	
	EuroHUK 600 h17-21 <input type="checkbox"/>	PE-MD	h = 1700...2100 mm	(56 kg)	
	EuroHUK 600 h21-25 <input type="checkbox"/>	PE-MD	h = 2100...2500 mm	(80 kg)	
7	EuroHUK 800 maintenance shaft (as needed), PE-MD plastic ( $\phi$ 1000/800)				
	h = Separator connection height from ground (Max. 2500 mm)				
	EuroHUK 800 h 9-13 (x) <input type="checkbox"/>	PE-MD	h = 900...1300 mm	(25 kg)	
	EuroHUK 800 h13-17 <input type="checkbox"/>	PE-MD	h = 1300...1700 mm	(42 kg)	
	EuroHUK 800 h17-21 <input type="checkbox"/>	PE-MD	h = 1700...2100 mm	(60 kg)	
	EuroHUK 800 h21-25 <input type="checkbox"/>	PE-MD	h = 2100...2500 mm	(84 kg)	
6	Cooleracer	pp			12
5	Maintenance shaft installation sleeve	GRP	D1000/1100 mm		2
4	Oil suction pipe	PVC	D160		2
3	Outlet sewer	PVC	D400		1
2	Inlet sewer	PVC	D400		1
1	Material: Glass Reinforced Plastic "Lasa Composit", $\phi$ 3000, L=5500 mm pH 3-10/Heat resistance 50°C				1

This drawing and the technical information included in the drawing are property of Wavin-Labko. All the national regulations concerning this product have to be checked before purchase of the product. Installation have to be done according to installation manual.

Approved by customer: \_\_\_\_\_ / \_\_\_\_\_ 200. \_\_\_\_\_

Product: Title: EuroPEK NS65 Oil separator, Class I (EN858) Drawing type: CUSTOMER DRAWING

Design by: Checked by: Approved by: Drawing no. Date: Scale:

TP/JS JP 28.01.09 24QB01fe 28.01.09

Construction site:

WAVIN-LABKO  
 Labkote 1  
 FIN-36240 KANGASALA  
 FINLAND  
 Tel. +358-(0)20-1285 200  
 Fax +358-(0)20-1285 280  
 www.wavin-labko.fi

**WAVIN**  
**Labko**

28.1.2009 14:52:57