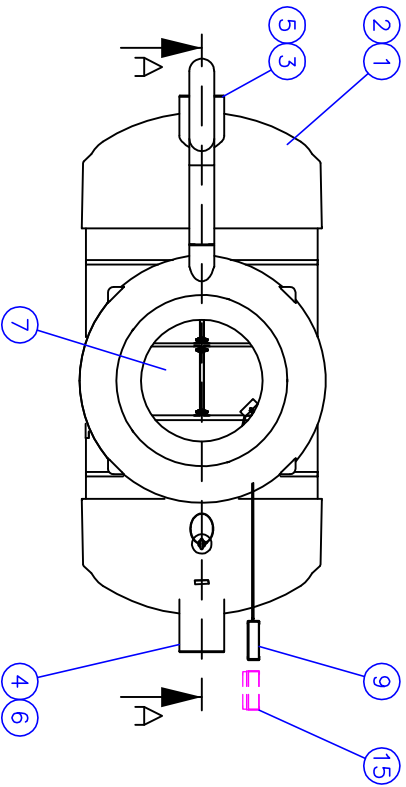
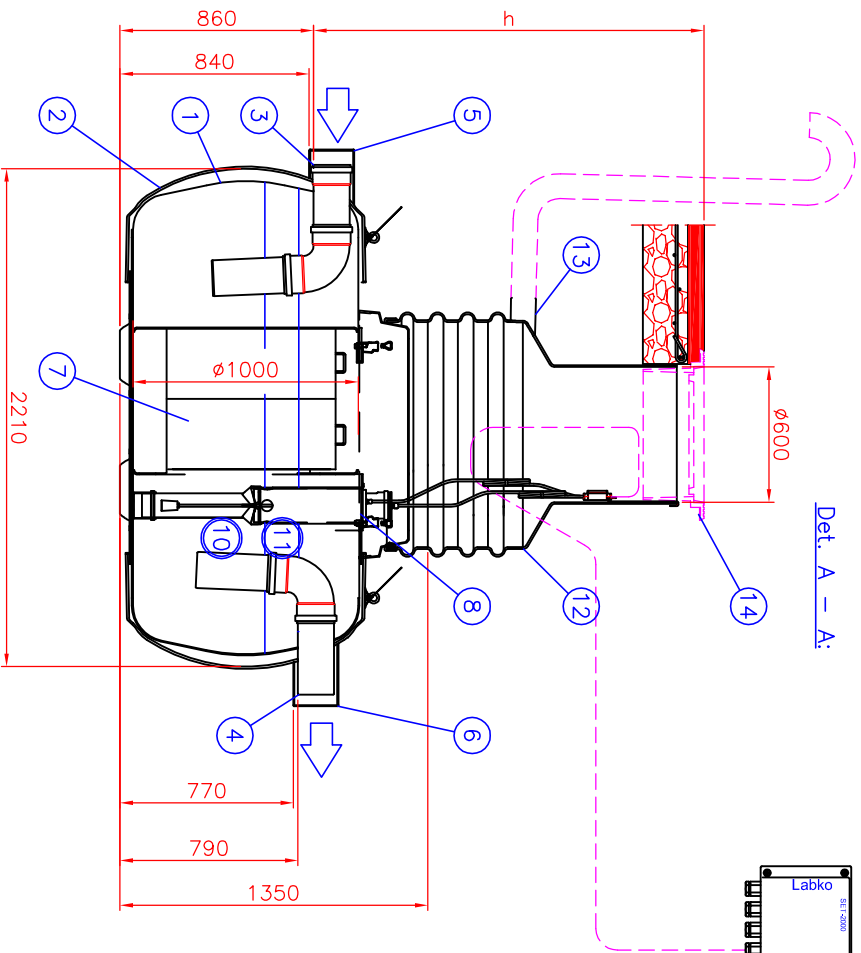


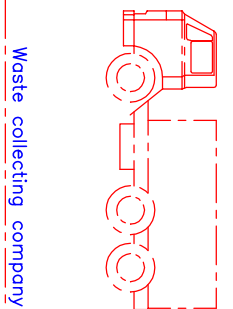
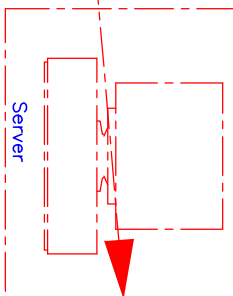
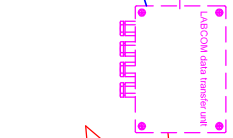
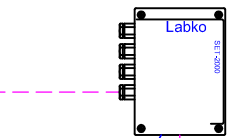
Det. A - A:



This drawing and the technical information included in the drawing are property of Wavin-Labko. All the national regulations concerning this product have to be checked before purchase of the product. Installation have to be done according to installation manual.

Approved by customer:

200



EuroPEK Roo Safe NS6 Double-safe Oil separator, class I (EN858)
Max. flow: 6 l/s

h = Separator connection height from ground (mm)
 h = _____ mm (Max. 2500 mm)

15	ACCESSORY: Labcom Data Transfer Unit. (x)	<input type="checkbox"/>						
14	ACCESSORY: Floating adjustable cover ϕ 600, Standard EN124	<input type="checkbox"/>						
	Cover class A15 (1.5 tn) (x)	<input type="checkbox"/>						
	Cover class C250 (25 tn)	<input type="checkbox"/>						
	Cover class D400 (40 tn)	<input type="checkbox"/>						
	Frame	<input type="checkbox"/>						
13	Ventilation outlet	<input type="checkbox"/>	PE-MD	D110				1
12	EuroHUK 600 maintenance shaft (as needed), PE-MD plastic (ϕ 1000/600)	<input type="checkbox"/>						
	h = Separator connection height from ground (Max. 2500 mm)							
	EuroHUK 600 h 9-13 (x)	<input type="checkbox"/>	PE-MD	h = 900...1300 mm	(22 kg)			
	EuroHUK 600 h13-17	<input type="checkbox"/>	PE-MD	h = 1300...1700 mm	(38 kg)			
	EuroHUK 600 h17-21	<input type="checkbox"/>	PE-MD	h = 1700...2100 mm	(56 kg)			
	EuroHUK 600 h21-25	<input type="checkbox"/>	PE-MD	h = 2100...2500 mm	(80 kg)			
11	Oil storage volume			410 l				
10	Effective volume			1120 l				
9	SET-2000 Alarm for Double-wall Separator	<input type="checkbox"/>						1
8	Oil suction pipe	<input type="checkbox"/>	PVC	D160				1
7	Codlescer	<input type="checkbox"/>						4
6	Casing pipe for Outlet sewer	<input type="checkbox"/>	PVC	D200				1
5	Casing pipe for Inlet sewer	<input type="checkbox"/>	PVC	D200				1
4	Outlet sewer	<input type="checkbox"/>	PVC	D160				1
3	Inlet sewer	<input type="checkbox"/>	PVC	D160				1
2	Double-wall	<input type="checkbox"/>	GRP	D160				1
1	Material: Glass Reinforced Plastic "Lasa Composit", ϕ 1000, L=2210 mm							1
	pH 3-10/Heat resistance 50°C							

Product: _____

Title: EuroPEK Roo Safe NS6 Double-safe oil separator

Drawing type: CUSTOMER DRAWING

Design by:	Checked by:	Approved by:	Drawing no.	Date:	Scale:
TP/HT/JS	TP	06.02.09	29BB02ae	06.02.09	

Construction site: _____



WAVIN-LABKO
 Labkote 1
 FIN-36240 KANGASALA
 FINLAND
 Tel. +358-(0)20-1285 200
 Fax +358-(0)20-1285 280
 www.wavin-labko.fi

6.2.2009 16:22:44