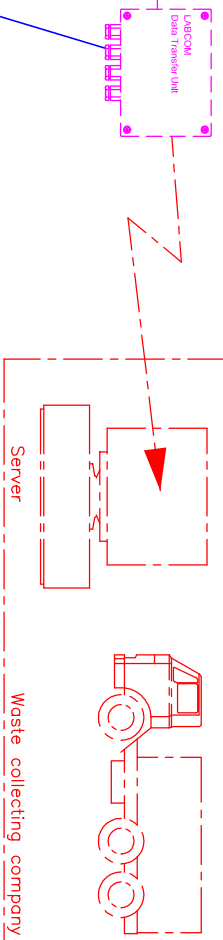
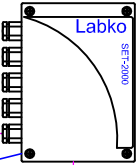
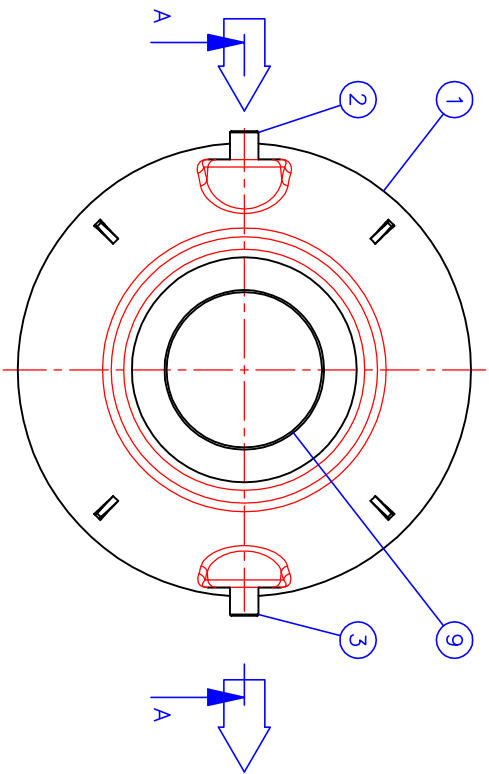
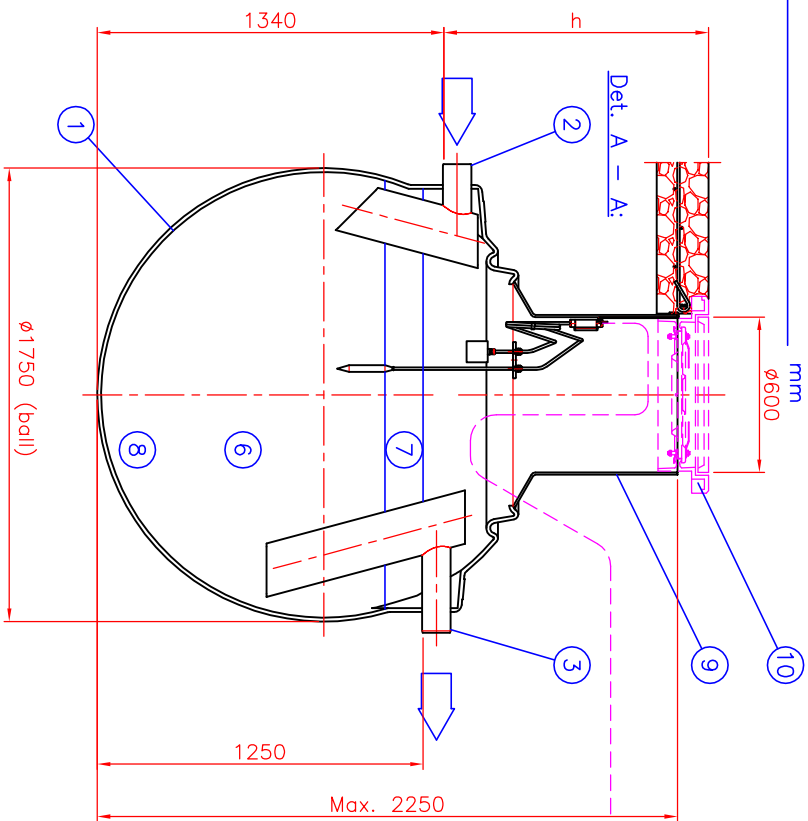


h=installation depth of separator from floor level (500...1000 mm)

h = _____ mm



NOTE! If you make any changes on the drawing, mark (x) in the square

Changes made on the drawing:

EuroREK Omega NS2 S and NS4 S Grease separator (EN1825-1),
Indoor installation model (Under the floor, h=500...1000 mm)

Weight: 160 kg

CHOOSE EuroREK Omega S model	<input type="checkbox"/>	Maximum flow rate:
EuroREK NS2 S Grease separator	<input type="checkbox"/>	2 l/s
EuroREK NS4 S Grease separator	<input type="checkbox"/>	4 l/s

10 ACCESSORY:

10	ACCESSORY:	Floating adjustable cast iron lid set ϕ 600 including an inner cover with a lock	<input type="checkbox"/>
		Cover class A15 (1.5 tn) (x)	<input type="checkbox"/>
		Cover class C250 (25 tn)	<input type="checkbox"/>
		Cover class D400 (40 tn)	<input type="checkbox"/>
		Frame (without a structure for the inner cover) (x)	<input type="checkbox"/>
		Frame for two covers (also for the inner cover)	<input type="checkbox"/>
		Lockable inner cover (gas proof) (x)	<input type="checkbox"/>
9	Maintenance shaft D600, material: PE-MD plastic, h=500...1000 mm		<input type="checkbox"/>
	h=installation depth of separator from floor level (mm)		
8	Sludge storage capacity	370 l	
7	Grease storage capacity	165 l	
6	Effective capacity	2040 l	
5	ACCESSORY: LABCOM Data Transfer Unit (x)	<input type="checkbox"/>	
4	SET-2000 Grease alarm unit with SET/OS2 and SET DM/3 probes		<input type="checkbox"/>
3	Outlet sewer	PE-HD D110	<input type="checkbox"/>
2	Inlet sewer	PE-HD D110	<input type="checkbox"/>
1	Material: PE-MD	ϕ 1750 (ball)	<input type="checkbox"/>
	pH3-10, temperature endurance 50°C		

Product:

Title: EuroREK Omega NS2S and NS4S Indoor installation

Drawing type: CUSTOMER DRAWING

Design by: _____

Checked by: _____

Approved by: _____

TIS/JS _____

Approved by: _____

TS/JS _____

Design by: _____

Checked by: _____

WAVIN-LABKO
Labkote 1
FIN-35240 KANGASALA
FINLAND
Tel. +358-(0)20-1285 200
Fax +358-(0)20-1285 280
www.wavin-labko.fi

Construction site: _____

10.2.2009 11:37:28

This drawing and the technical information included in the drawing are property of Wavin-Labko. All the national regulations concerning this product have to be checked before purchase of the product. Installation have to be done according to installation manual.

Approved by customer: _____

_____ / _____ 200_____

