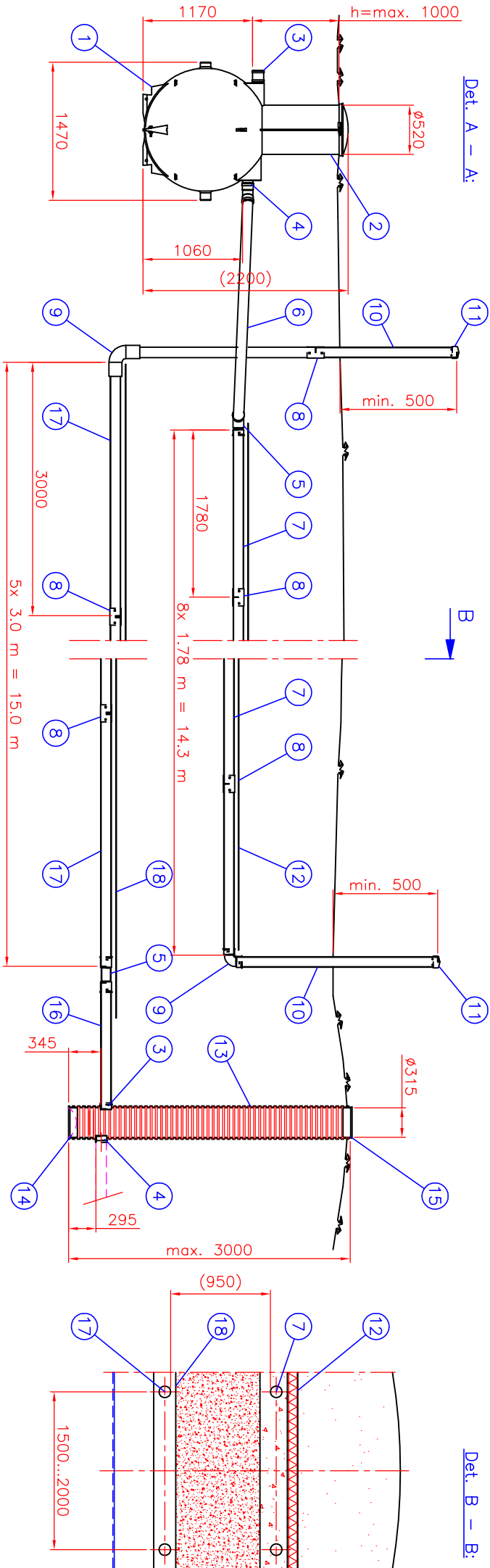
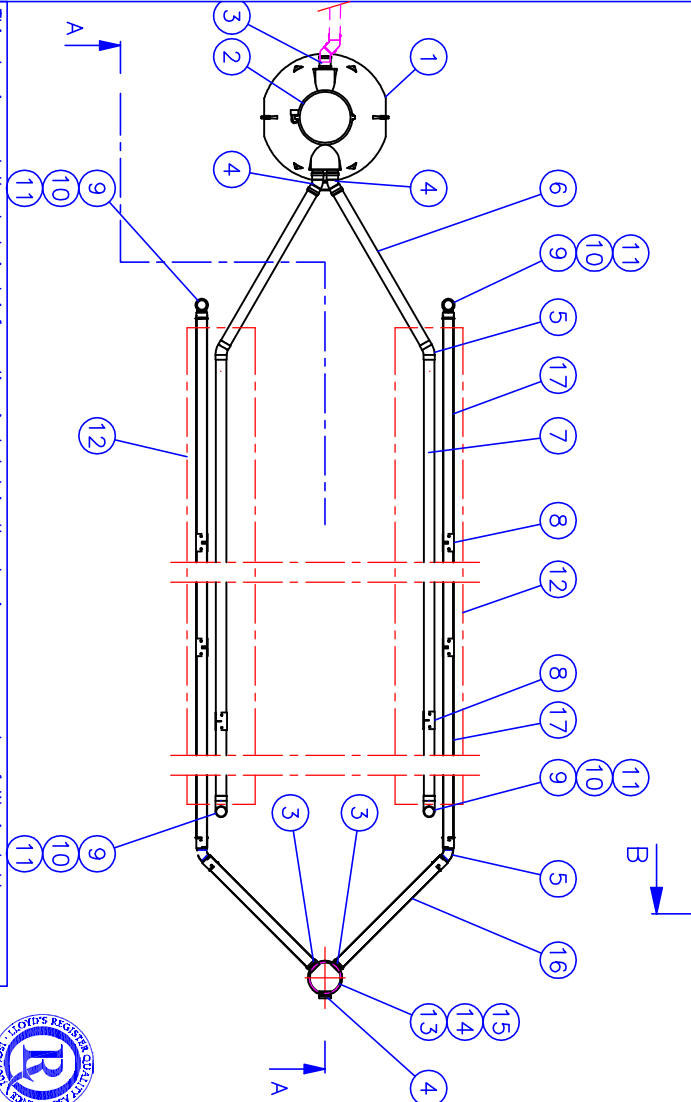


Det. A – A:



Det. B – B:



18	Geotextile	0.7 x 15.0 m	2
17	Drainage pipe	D110, L=3000 mm	10
16	Sewer pipe	D110, L=2000 mm	2
15	Cover part	PE D315	1
14	Bottom part with gasket	PP D315	1
13	Collector well D315 with Collector lines (2 pcs), material: PVC (L=max. 3000)		1
12	Geotextile	0.7 x 16.0 m	2
11	End cap for ventilation	D110	4
10	Ventilation pipe	D110	4
9	Bend	D110-90°	4
8	Connector	D110	24
7	Infiltration pipe	D110, L=1780 mm	16
6	Distribution pipe	D110, L=1900 mm	2
5	Flexible connector (incl. 2pcs gaskets)	D110	4
4	Outlet sewer	D110	3
3	Inlet sewer	PP D110	3
2	Maintenance shaft with Cover	PE Ø520 mm	1
1	Septic tank, material: PE-MD (Total volume: 1000 l) Sedimentation chamber I, volume 500 l Sedimentation chamber II, volume 500 l		1

Product: Title: SAKO-2 Saneeraus, Renovation distribution system

Design by: TP/JS Checked by: JJP Approved by: JJP 16.03.09 Drawing no. 57EG34_e Date: 16.03.09 Scale: Drawing type CUSTOMER DRAWING

This drawing and the technical information included in the drawing are property of Wavin-Labko. All the national regulations concerning this product have to be checked before purchase of the product. Installation have to be done according to installation manual.

Approved by customer: / . 200 .



WAVIN
Labko

WAVIN-LABKO
Labkote 1
FIN-36240
FINLAND
KANGASALA
Tel. +358-(0)20-1285 200
Fax +358-(0)20-1285 280
www.wavin-labko.fi

Construction site:

16.3.2009 11:20:41