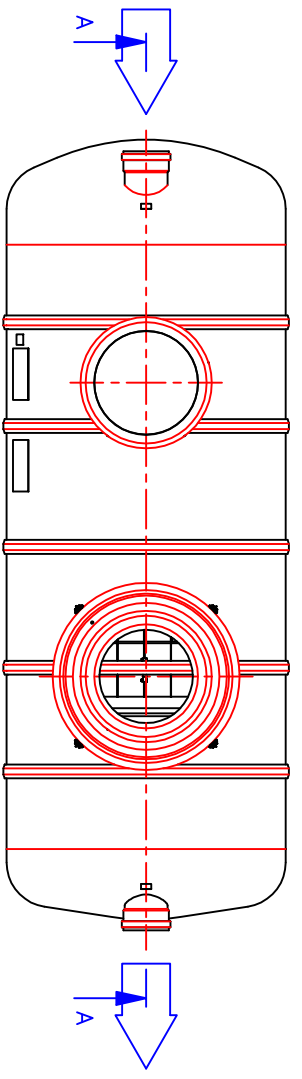
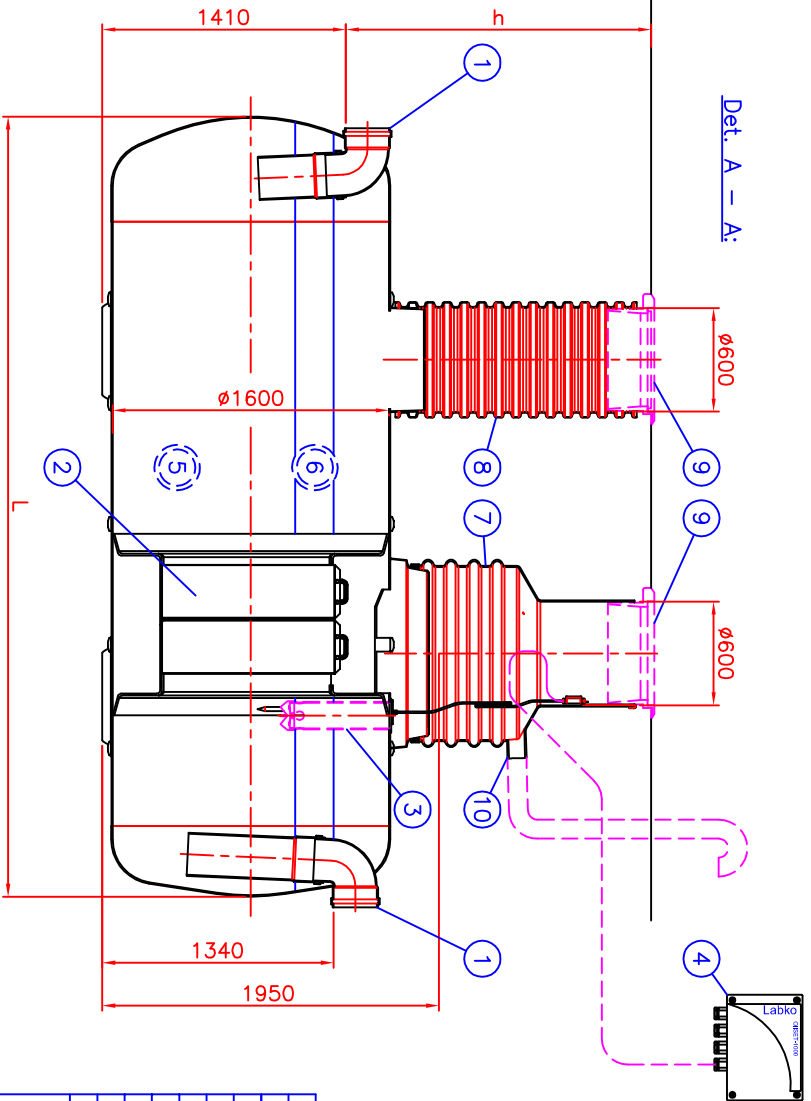


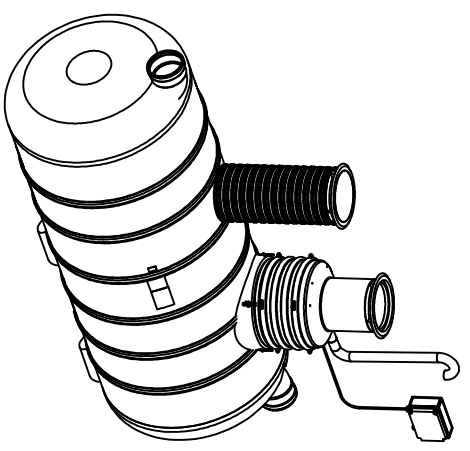
Det. A - A:



h = Separator connection height from ground (mm)
 h = _____ mm (900...2500 mm)

This drawing and the technical information included in the drawing are property of Wavin-Labko. All the national regulations concerning this product have to be checked before purchase of the product. Installation have to be done according to installation manual.

Approved by customer: _____ / _____ 200. _____



1	EuroPEK Roo Oil separator, I-class (EN858)	NS	30	40	50
	Max. flow rate	l/s	30	40	50
L	Length	mm	4600	6000	7000
1	Inlet and outlet sewer	D	250	315	315
2	Cooler	pcs	6	9	9
3	ACCESSORY: Fuel suction pipe (PVC, D160)	(x)			
4	OilSET-1000 oil alarm unit with SET DM/3 probe		1	1	1
5	Effective volume	l	7500	9900	11700
6	Oil storage volume	l	900	1200	1400
7	EuroHUK 600 maintenance shaft (as needed), material PE-MD (1 pc)				
	h = Separator connection height from ground (mm)				
	EuroHUK 600 h 9-13, h = 900...1300 mm	(x)			
	EuroHUK 600 h13-17, h = 1300...1700 mm	(x)			
	EuroHUK 600 h17-21, h = 1700...2100 mm	(x)			
	EuroHUK 600 h21-25, h = 2100...2500 mm	(x)			
8	PP-HUK 600 maintenance shaft (as needed), material PP (1 pc)				
	h = Separator connection height from ground (mm)				
	PP-HUK 600 h 9-13, h = 900...1300 mm	(x)			
	PP-HUK 600 h13-17, h = 1300...1700 mm	(x)			
	PP-HUK 600 h17-21, h = 1700...2100 mm	(x)			
	PP-HUK 600 h21-25, h = 2100...2500 mm	(x)			
9	ACCESSORY: Floating adjustable cover ø600, standard EN124 (2 pcs)				
	Cover class A15 (1.5 tn) Part no. 3322 050	(x)			
	Cover class C250 (25 tn) Part no. 3322 054	(x)			
	Cover class D400 (40 tn) Part no. 3322 056	(x)			
	Frame Part no. 3325 010	(x)			
10	Ventilation outlet (gas needed)	D	110	110	110
	CHOSEN SEPARATOR	(x)			

Product: EuroPEK Roo Oil separator, I-class (EN858)

Title: EuroPEK Roo Oil separator, I-class (EN858)

Design by: _____ Checked by: _____ Approved by: _____

HT/RU _____ JP 11.4.2011

Drawing no. 29FB01be

Date: 8.4.2011

Scale: _____

Construction site: _____

Product: _____ Title: _____

Design by: _____ Checked by: _____ Approved by: _____

HT/RU _____ JP 11.4.2011

Drawing no. 29FB01be

Date: 8.4.2011

Scale: _____

Construction site: _____

Product: _____ Title: _____

Design by: _____ Checked by: _____ Approved by: _____

HT/RU _____ JP 11.4.2011

Drawing no. 29FB01be

Date: 8.4.2011

Scale: _____

Construction site: _____



Approved by customer: _____ / _____ 200. _____