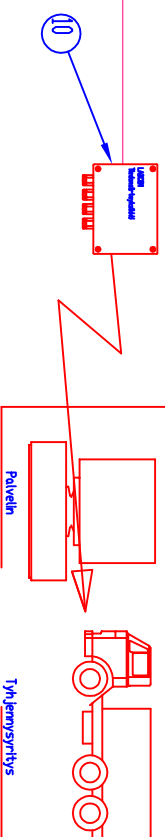
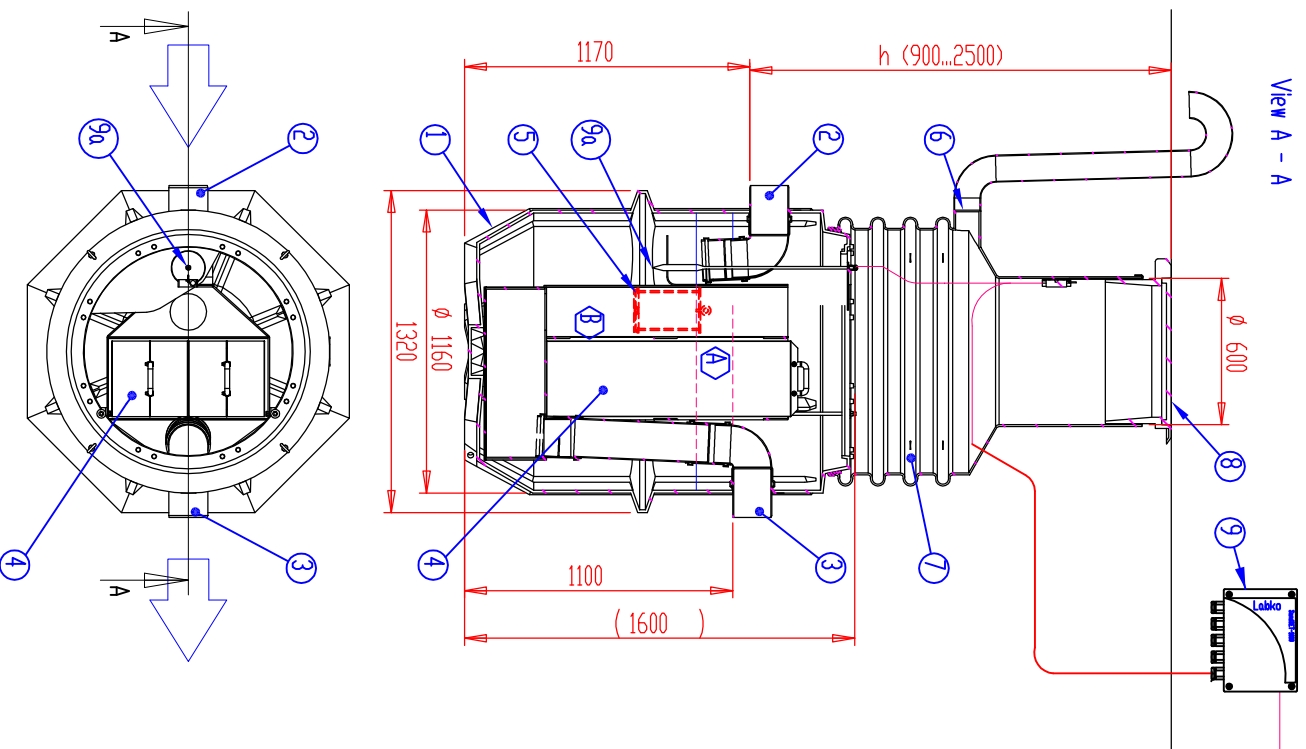


View A - A



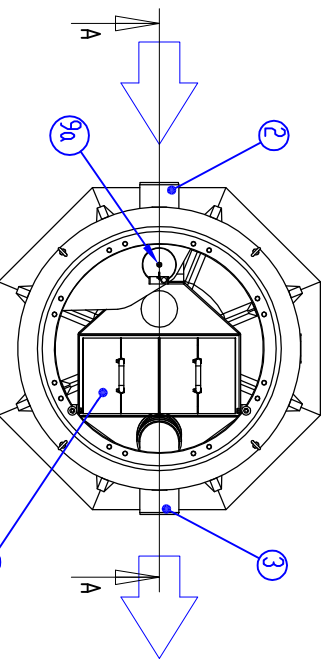
CE
09
EN 858-1

Fulfilled requirements of flow rate
test according to standard EN858
(LGA)

$h =$ Connection height from ground surface
mm (900...2500 mm)

Safety in case of fire: E
VTT test report VTT-S-7683-06

B	Effective volume	1000 l	
A	Oil storage volume (height 150 mm)	150 l	
10	ACCESSORY: Labcom -data transfer unit (X)	<input type="checkbox"/>	
9	OilSET-1000 oil alarm unit		
9a	SET/DM3 -probe		
8	ACCESSORY: Floating adjustable cover Ø600, Standard EN124	Part no. 3322 050 Part no. 3322 054 Part no. 3322 056	1
7	EuroHUK 600 maintenance shaft (as needed), PE-MD	Part no.: 3325 010	1
	$h =$ connection height from ground surface (mm)		
	EuroHUK 600 h= 9-13 (X)	h = 900... 1300 mm	
	EuroHUK 600 h=13-17	h = 1300... 1700 mm	
	EuroHUK 600 h= 17-21	h = 1700... 2100 mm	
	EuroHUK 600 h=21-25	h = 2100... 2500 mm	
6	Ventilation outlet (as needed)	PE D110	1
5	ACCESSORY: Automatic closure device	(X) <input type="checkbox"/>	1
4	Coalescer	PE-HD D160	2
3	Outlet sewer	PE-HD D160	1
2	Inlet sewer	PE-MD 1320x1200 mm	1
1	Tank (pH3-10/Heat resistance max. 50°C)	PE-MD	1



This drawing and the technical information included in the drawing are property of Wavin-Labko Ltd. Authorities' regulations must be known before providing the product. Products must be installed according to installation instructions.



WAVIN
Labko

WAVIN-LABKO Ltd.
Lohkatie 1
FIN-33240 KANGASALA
FINLAND
puh. +358 020 1285 200
fax. +358 0201285 280

Product: **Europek Roo NS10 oil separator (I-class)**
Design by: TP/RJ
Approved by: 13.4.2011 JP
Drawing no: 29C8060e

Drawing type: **CUSTOMER DRAWING**
Date: 13.4.2011
Scale: 1:30

Construction site: