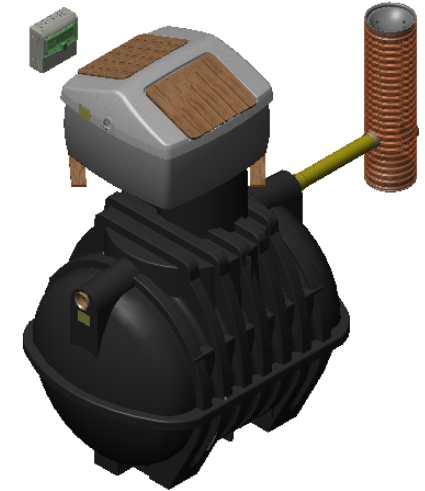
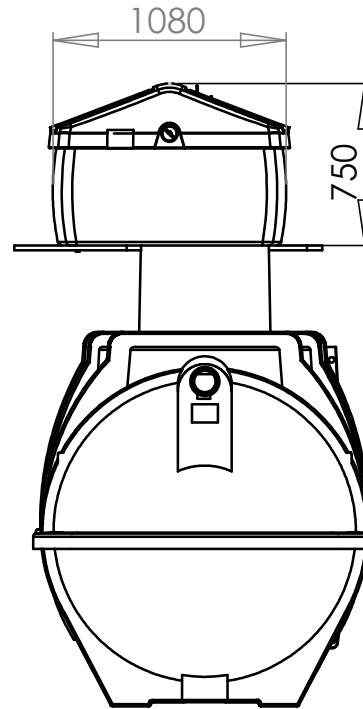
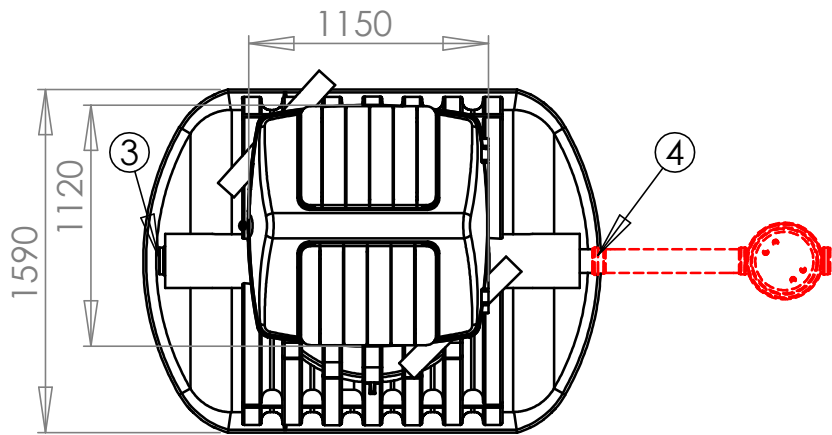
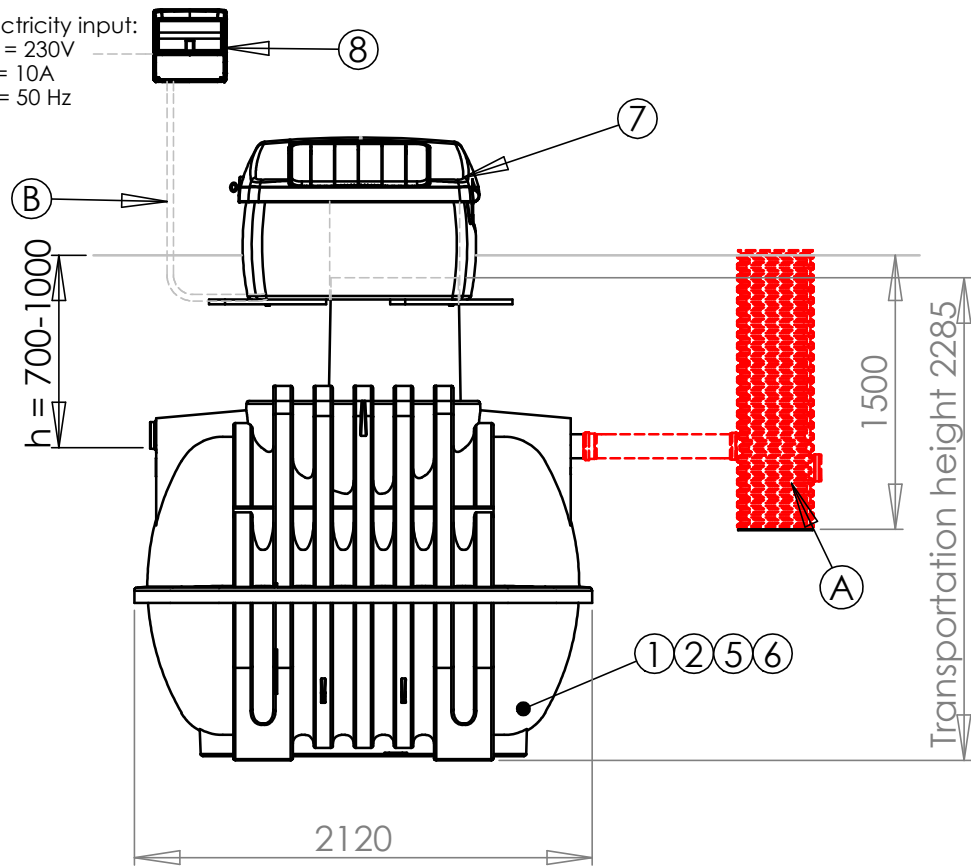


Electricity input:
 Un = 230V
 In = 10A
 fn = 50 Hz



No	Title	Mat.	Description	pc.
1	Labko BioKem 6 EN	PE-MD		1
2	Wall	PE-HD		1
3	Inlet sewer	PVC	D110	1
4	Outlet sewer	PE	D110	1
5	Discharge pump			1
6	Air diffuser			1
7	LABKO BIOKEM 6 EN device cover			1
	Compressor			1
	Chemical pump			1
	Chemical canister		20 L	1
	Manuals			1
	Anchoring belt		25 mm x 6 m	4
8	Control unit			1
A	ACCESSORY: Sampling shaft Wavin NOK 315/1.5 (x)			1
B	NOT INCLUDED: Cabel for electricity connection MCMK 4 x 1.5 + 1.5 (2 pcs)			

This drawing and the technical information included in the drawing are property of Wavin-Labko Ltd. This drawing can not be shown to a third party without the consent of Wavin-Labko Ltd.



Title
BIOKEM 6 EN Wastewater Treatment Plant

Drawing type:
Customer Drawing

Design by: HT/js
 Approved by: HT 13.06.08
 Drawing no. 53AB06he

Date: 13.06.08
 Scale (A4): 1:35



WAVIN-LABKO LTD
 Labkotie 1
 FIN-36240 KANGASALA
 FINLAND
 tel. + 358 20 128 5200
 fax. + 358 20 128 5280

Construction site: