

GENERAL:

It is not allowed to release wastewater to public sewer system if wastewater may cause damages to sewers or may have negative effect on wastewater treatment plant performance. NEUTRA is used to adjust the pH of the wastewater to the level that is acceptable when wastewater is released to the sewer system.

NEUTRA is used to treat wastewater e.g. from laboratories, printing houses, chemical and food industry and finishing plants.

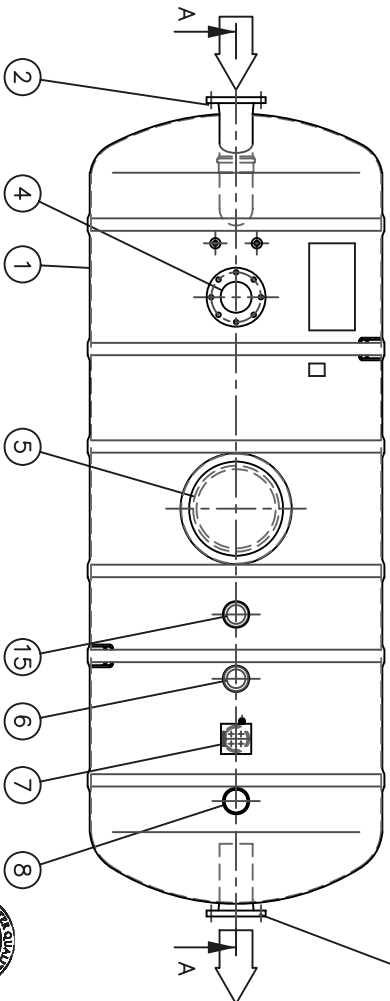
OPERATION:

Wastewater that has to be neutralized is led into the NEUTRA through inlet sewer. pH of the wastewater is measured with pH probe and central unit. There are two adjustable pH limits in the central unit. With the pH limits the amount of the addition of acid/base is controlled. At the same time with acid/base addition wastewater is mixed by the mixer. When pH is between the adjusted limits wastewater is released to the sewer through motor valve.

NEUTRA can be supplied with only acid or base neutralization or with both. Dimensioning of the NEUTRA is based on the 10 % HCL solution in cases where pH is too high and 10 % NaOH solution in cases where pH is too low. In cases where pH can be both too high or low NEUTRA is equipped with two separate acid/base pumps.

Note! Indoor installation model.

NOTE!
If you make any changes on the drawing, mark (x) in the square
Changes made on the drawing:



15	Sampling outlet with cap	PVC	D110	1
14	ACCESSORY: Closing valve DN150 (x)	<input type="checkbox"/>		
13	Wall	GR plastic		1
12	Dosing pump for neutralization liquid (1 pc/Tank for neutralization liquid)	PEHD	200 l	1
11	Tank for neutralization liquid	PEHD	200 l	1
	Acid neutralization (pH decreases) (x)	<input type="checkbox"/>		1
	Alkali neutralization (pH increases)	<input type="checkbox"/>		1
10	Skid (indoor installation model)	GR plastic		3
9	Total volume		5000 l	
8	Ventilation outlet	PVC	D110	1
7	SET automatic level control with SET/K probes (4 pcs)			1
6	pH -measuring			1
5	Maintenance hole with odour-proof cover, PEH	D455/382		1
4	Propeller mixer	0.75 kW / 1000 rpm		1
3	Outlet sewer	GR plastic DN150		1
2	Inlet sewer	GR plastic DN150		1
1	Material: GR Plastic "Lasa Composit", pH2-11/+20°C, Ø1.4 L=3.8 m			1

This drawing and the technical information included in the drawing are property of Wavin-Labko. All the national regulations concerning this product have to be checked before purchase of the product. Installation have to be done according to installation manual.

Approved by customer: _____ / _____ 200. _____



WAVIN
Labkoite 1
FIN-36240
FINLAND
Tel. +358-020-1285 200
Fax +358-020-1285 280

Labko

Product: LABKO NEUTRA 5000 neutralizing tank (BATCH)

Title: CUSTOMER DRAWING

Design by: HK/TIS/JS

Checked by: 26.08.03 TU

Approved by: 26.08.03 TU

Drawing no. 70C801ae

Date: 26.08.03

Scale:

Construction site: